

FOAMICO®

Innovative cleaning solutions for ultimate efficiency



Product Catalogue 2015



Generation NEXT - Main Station and Satellite

Main stations.....	3-9
Satellites.....	10-11

FO1 series - Main Station and Satellite

Main stations.....	12-15
Satellite.....	16

Mobile units

22 bar units.....	17-19
40 bar units.....	20

Booster Series

22 bar Booster Series.....	21-28
42 bar Booster Series.....	29-33

Base Line – Main Station and Satellite

22 bar units.....	34-42
40 bar units.....	43-45

Pre-diluted systems and Satellite

Mixing stations.....	46-47
Satellite.....	48

Accessories

Hoses, hose reels, low pressure valves and guns, Safety Can System etc.....	49-58
---	-------

Generation NEXT

Main stations and satellites

FOAMICO®

Main stations are designed for independent use or for use as a booster unit to provide pressurized water for FOAMICO satellites. Standard range carries 22 bar models, largest model can supply enough water for up to 6 simultaneous users. All main stations – except the 6 bar-model - are equipped with the best energy-optimized motor technology available from Grundfos – Grundfos blueflux®.

The SU 0125/SU 0150 satellite is to be connected with FOAMICO main station or booster, which will provide the satellite with pressurized water.

NEXT is the latest generation in our high quality product range. The technology features a block, which contains 3 injectors, enabling 3 chemicals in one and same block, meaning just one outlet. The chemical flexibility will reach new standards with NEXT. Imagine an environment where you need one type of chemical but with two different concentrations and disinfection on the third injector. NEXT makes this possible.

NEXT have no separate start/stop and no handle to switch on/off air. All functions are operated by just one handle, which makes the units extremely simple to operate.



Main station
MS 0106/MS C 0106
 Generation NEXT



MS NEXT 0106/MS C NEXT 0106 is a main station for single and independent use and it is designed for super markets and small kitchen areas.

The system is controlled by a flow switch. When the change-over handle is placed in rinse, foam or sanitize, the pump is in standby and starts only when the gun or low pressure valve is opened.

The build in compressor in MS C NEXT 0106 only runs when the change-over block is in foam-position and the pump runs.

MS NEXT 0106/MS C NEXT 0106 has no separate start/stop and no separate handle to switch on/off air. All functions are operated by just one handle on the side of the unit, making it extremely simple to operate.

The NEXT technology allows 3 chemicals in one and same injector block, meaning just 1 outlet.

Technical data

Water:	Unit	MS 0106	MS C 0106
Pump pressure at 3 bar inlet pressure	Bar	9,5	9,5
Min./max. inlet pressure	Bar	2/4	2/4
Max. water consumption	L/min.	30	30
Pipe dimension inlet	Inch	1"	1"
Power supply:			
Standard voltage	V	1x 220-240	1x 220-240
Frequency	Hz	50	50
Max. power consumption	kW	0,5	1,0
Dimensions (WxHxD)	Mm	505x680x380	505x680x380
Weight	Kg	40	48

Standard accessories:

- 15/20 Rinsing Nozzle – "High Impact"
- 15/20 Rinsing Lance – "High Impact"
- 65/150 Foam Nozzle
- 40/30 Disinfection Nozzle
- Nozzle holder
- All nozzles are of course in stainless steel*

Optional accessories:

- Food hygiene hose
- Low pressure valve/low pressure gun
- Hose holder

Item number	Description
7001551	MS NEXT 0106-1
7001552	MS NEXT 0106-2
7001553	MS NEXT 0106-3
7001554	MS NEXT 0106-4
7001555	MS NEXT 0106-5
7001556	MS C NEXT 0106-1
7001557	MS C NEXT 0106-2
7001558	MS C NEXT 0106-3
7001559	MS C NEXT 0106-4
7001560	MS C NEXT 0106-5

MODEL NUMBER	1. INJECTOR	2. INJECTOR	3. INJECTOR
xxxx-1	Foam	Spray	None
xxxx-2	Foam	Foam	None
xxxx-3	Foam	Spray	Spray
xxxx-4	Foam	Foam	Spray
xxxx-5	Foam	Foam	Foam

Main station
MS 0112/MS C 0112
 Generation NEXT



MS NEXT 0112/MS C NEXT 0112 is a main station for single and independent use and it is designed for small food plants, super markets and large kitchen areas.

The pump is frequency controlled, providing you with the latest technology from Grundfos. The pump increases the inlet water pressure up to 14 bar.

The build in compressor in MS C NEXT 0112 only runs when the change-over block is in foam-position and the pump runs.

MS NEXT 0112/MS C NEXT 0112 has no separate start/stop and no separate handle to switch on/off air. All functions are operated by just one handle on the side of the unit, making it extremely simple to operate.

The NEXT technology allows 3 chemicals in one and same injector block, meaning just 1 outlet.

Technical data

Water:	Unit	MS 0112	MS C 0112
Pump pressure at 3 bar inlet pressure	Bar	14	14
Min./max. inlet pressure	Bar	2/10	2/10
Max. water consumption	L/min.	40	40
Pipe dimension inlet	Inch	1"	1"
Power supply:			
Standard voltage	V	1x 220-240	1x 220-240
Frequency	Hz	50-60	50-60
Max. power consumption	kW	1,1	1,6
Dimensions (WxHxD)	Mm	505x680x380	505x680x380
Weight	Kg	57	65

Standard accessories:

- 25/30 Rinsing Nozzle – "High Impact"
- 25/30 Rinsing Lance – "High Impact"
- 50/200 Foam Nozzle
- 40/30 Disinfection Nozzle
- Nozzle holder
- All nozzles are of course in stainless steel*

Optional accessories:

- Food hygiene hose
- Low pressure valve/low pressure gun
- Hose holder

Item number	Description
7001511	MS NEXT 0112-1
7001512	MS NEXT 0112-2
7001513	MS NEXT 0112-3
7001514	MS NEXT 0112-4
7001515	MS NEXT 0112-5
7001561	MS C NEXT 0112-1
7001562	MS C NEXT 0112-2
7001563	MS C NEXT 0112-3
7001564	MS C NEXT 0112-4
7001565	MS C NEXT 0112-5

MODEL NUMBER	1. INJECTOR	2. INJECTOR	3. INJECTOR
xxxx-1	Foam	Spray	None
xxxx-2	Foam	Foam	None
xxxx-3	Foam	Spray	Spray
xxxx-4	Foam	Foam	Spray
xxxx-5	Foam	Foam	Foam

Main station

MS 0122

Generation NEXT

FOAMICO®



MS NEXT 0122 is a main station for single and independent use.

The pump is frequency controlled, providing you with the latest technology from Grundfos. It is programmed to increase the inlet water pressure up to 23 bar. Energy consumption is minimized by controlling the pressure through the frequency converter.

MS NEXT 0122 has no separate start/stop and no separate handle to switch on/off air. All functions are operated by just one handle on the side of the unit, making it extremely simple to operate.

The NEXT technology allows 3 chemicals in one and same injector block, meaning just 1 outlet.

Technical data

Water:	Unit	MS NEXT 0122
Pump pressure at 3 bar inlet pressure	Bar	23
Min./max. inlet pressure	Bar	2/10
Max. water consumption	L/min.	50
Pipe dimension inlet/outlet	Inch	1 ¼"
Power supply:		
Standard voltage and frequency	V / Hz	380-480 / 50-60
Max. power consumption	kW	2,2
Dimensions (WxHxD)	Mm	500x930x380
Weight	Kg	80

Standard accessories:

25/30 Rinsing Nozzle – “High Impact”
25/30 Rinsing Lance – “High Impact”
50/200 Foam Nozzle
40/30 Disinfection Nozzle
Nozzle holder
All nozzles are of course in stainless steel

Optional accessories:

Food hygiene hose
Low pressure valve/low pressure gun
Hose holder

Item number	Description
7001516	MS NEXT 0122-1
7001517	MS NEXT 0122-2
7001518	MS NEXT 0122-3
7001519	MS NEXT 0122-4
7001520	MS NEXT 0122-5

MODEL NUMBER	1. INJECTOR	2. INJECTOR	3. INJECTOR
xxxx-1	Foam	Spray	None
xxxx-2	Foam	Foam	None
xxxx-3	Foam	Spray	Spray
xxxx-4	Foam	Foam	Spray
xxxx-5	Foam	Foam	Foam

Main station

MS 0222

Generation NEXT



MS NEXT 0222 is a main station for single and independent use, or for use as a booster unit to provide pressurized water to FOAMICO satellites.

The pump is frequency controlled, providing you with the latest technology from Grundfos. It is programmed to increase the inlet water pressure up to 23 bar. Energy consumption is minimized by controlling the pressure through the build-in PI regulator.

MS NEXT 0222 has no separate start/stop and no separate handle to switch on/off air. All functions are operated by just one handle on the side of the unit, making it extremely simple to operate.

The NEXT technology allows 3 chemicals in one and same injector block, meaning just 1 outlet.

Technical data

Water:

Pump pressure at 3 bar inlet pressure
 Min./max. inlet pressure
 Max. water consumption
 Pipe dimension inlet
 Pipe dimension outlet

Unit

Bar
 Bar
 L/min.
 Inch
 Inch

MS NEXT 0222

23
 2/10
 65
 1 1/4"
 1 1/4"

Power supply:

Standard voltage and frequency
 Max. power consumption
 Dimensions (WxHxD)
 Weight

V / Hz
 kW
 Mm
 Kg

380-480 / 50-60
 3,0
 500x930x380
 84

Standard accessories:

25/30 Rinsing Nozzle – “High Impact”
 25/30 Rinsing Lance – “High Impact”
 50/200 Foam Nozzle
 40/30 Disinfection Nozzle
 Nozzle holder
All nozzles are of course in stainless steel

Optional accessories:

Food hygiene hose
 Low pressure valve/low pressure gun
 Hose holder

Optional:

SU NEXT 0125



Item number	Description
7001521	MS NEXT 0222-1
7001522	MS NEXT 0222-2
7001523	MS NEXT 0222-3
7001524	MS NEXT 0222-4
7001525	MS NEXT 0222-5

MODEL NUMBER	1. INJECTOR	2. INJECTOR	3. INJECTOR
xxxx-1	Foam	Spray	None
xxxx-2	Foam	Foam	None
xxxx-3	Foam	Spray	Spray
xxxx-4	Foam	Foam	Spray
xxxx-5	Foam	Foam	Foam

Main station

MS 0322

Generation NEXT

FOAMICO®



MS NEXT 0322 is a main station for single and independent use, or for use as a booster unit to provide pressurized water to FOAMICO satellites.

The pump is frequency controlled, providing you with the latest technology from Grundfos. It is programmed to increase the inlet water pressure up to 23 bar. Energy consumption is minimized by controlling the pressure through the build-in PI regulator.

MS NEXT 0322 has no separate start/stop and no separate handle to switch on/off air. All functions are operated by just one handle on the side of the unit, making it extremely simple to operate.

The NEXT technology allows 3 chemicals in one and same injector block, meaning just 1 outlet.

Technical data

Water:

	Unit	MS NEXT 0322
Pump pressure at 3 bar inlet pressure	Bar	23
Min./max. inlet pressure	Bar	2/10
Max. water consumption	L/min.	100
Pipe dimension inlet	Inch	1 ¼"
Pipe dimension outlet	Inch	1 ¼"

Power supply:

Standard voltage and frequency	V / Hz	380-480 / 50-60
Max. power consumption	kW	4,0
Dimensions (WxHxD)	Mm	500x930x380
Weight	Kg	95

Standard accessories:

- 25/30 Rinsing Nozzle – "High Impact"
 - 25/30 Rinsing Lance – "High Impact"
 - 50/200 Foam Nozzle
 - 40/30 Disinfection Nozzle
 - Nozzle holder
- All nozzles are of course in stainless steel*

Optional accessories:

- Food hygiene hose
- Low pressure valve/low pressure gun
- Hose holder

Optional:

SU NEXT 0125



Item number	Description
7001526	MS NEXT 0322-1
7001527	MS NEXT 0322-2
7001528	MS NEXT 0322-3
7001529	MS NEXT 0322-4
7001530	MS NEXT 0322-5

MODEL NUMBER	1. INJECTOR	2. INJECTOR	3. INJECTOR
xxxx-1	Foam	Spray	None
xxxx-2	Foam	Foam	None
xxxx-3	Foam	Spray	Spray
xxxx-4	Foam	Foam	Spray
xxxx-5	Foam	Foam	Foam

Main station

MS 0422

Generation NEXT



MS NEXT 0422 is a main station for single and independent use, or for use as a booster unit to provide pressurized water to FOAMICO satellites.

The pump is frequency controlled, providing you with the latest technology from Grundfos. It is programmed to increase the inlet water pressure up to 23 bar. Energy consumption is minimized by controlling the pressure through the build-in PI regulator.

MS NEXT 0422 has no separate start/stop and no separate handle to switch on/off air. All functions are operated by just one handle on the side of the unit, making it extremely simple to operate.

The NEXT technology allows 3 chemicals in one and same injector block, meaning just 1 outlet.

Technical data

Water:	Unit	MS NEXT 0422
Pump pressure at 3 bar inlet pressure	Bar	23
Min./max. inlet pressure	Bar	2/10
Max. water consumption	L/min.	120
Pipe dimension inlet	Inch	1 ¼"
Pipe dimension outlet	Inch	1 ¼"
Power supply:		
Standard voltage and frequency	V / Hz	380-480 / 50-60
Max. power consumption	kW	5,5
Dimensions (WxHxD)	Mm	500x930x380
Weight	Kg	105

Standard accessories:

- 25/30 Rinsing Nozzle – "High Impact"
 - 25/30 Rinsing Lance – "High Impact"
 - 50/200 Foam Nozzle
 - 40/30 Disinfection Nozzle
 - Nozzle holder
- All nozzles are of course in stainless steel*

Optional:

SU NEXT 0125



Optional accessories:

- Food hygiene hose
- Low pressure valve/low pressure gun
- Hose holder

Item number	Description
7001531	MS NEXT 0422-1
7001532	MS NEXT 0422-2
7001533	MS NEXT 0422-3
7001534	MS NEXT 0422-4
7001535	MS NEXT 0422-5

MODEL NUMBER	1. INJECTOR	2. INJECTOR	3. INJECTOR
xxxx-1	Foam	Spray	None
xxxx-2	Foam	Foam	None
xxxx-3	Foam	Spray	Spray
xxxx-4	Foam	Foam	Spray
xxxx-5	Foam	Foam	Foam

Satellite
SU 0125/ SU 0150
 Generation NEXT



SU NEXT 0125/ SU NEXT 0150 satellite is to be connected with FOAMICO main station or booster, which will provide the satellite with pressurized water.

SU NEXT 0125/SU NEXT 0150 has no separate handle to switch on/off air. All functions are operated by just one handle on the side of the unit, making it extremely simple to operate.

The NEXT technology allows 3 chemicals in one and same injector block, meaning just 1 outlet.

SU NEXT 0125 is prepared for max. 25 bar, while SU NEXT 0150 is prepared for max. 50 bar.

Technical data

Water:	Unit	SU NEXT 0125	SU NEXT 0150
Min./max. inlet pressure	Bar	10/25	25/50
Max. water consumption	L/min.	100	100
Pipe dimension inlet	Inch	1/2"	1/2"
Air:			
Pipe dimensions inlet	Inch	1/4"	1/4"
Air supply	Bar	5/10	5/10
Air consumption	L/min.	150-200	150-200
Dimensions (WxHxD)	Mm	290x475x185	290x475x185
Weight	Kg	7	7

Standard accessories:

- 25/30 Rinsing Nozzle – "High Impact"
- 25/30 Rinsing Lance – "High Impact"
- 50/200 Foam Nozzle
- 40/30 Disinfection Nozzle
- Nozzle holder
- All nozzles are of course in stainless steel*

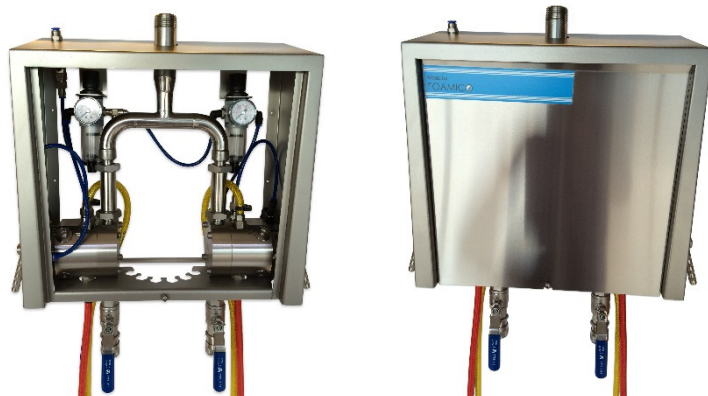
Optional accessories:

- Food hygiene hose
- Low pressure valve/low pressure gun
- Hose holder

Item number	Description
7001501	SU NEXT 0125-1
7001502	SU NEXT 0125-2
7001503	SU NEXT 0125-3
7001504	SU NEXT 0125-4
7001505	SU NEXT 0125-5
7001506	SU NEXT 0150-1
7001507	SU NEXT 0150-2
7001508	SU NEXT 0150-3
7001509	SU NEXT 0150-4
7001510	SU NEXT 0150-5
7001704	SU NEXT 0225-4

MODEL NUMBER	1. INJECTOR	2. INJECTOR	3. INJECTOR
xxxx-1	Foam	Spray	None
xxxx-2	Foam	Foam	None
xxxx-3	Foam	Spray	Spray
xxxx-4	Foam	Foam	Spray
xxxx-5	Foam	Foam	Foam

Satellite
SU 0225 DUAL Block
 Generation NEXT



SU NEXT 0225 DUAL Block satellite is to be connected with FOAMICO main station or booster, which will provide the satellite with pressurized water. One unit for two user operation!

SU NEXT 0225 DUAL Block has no separate handle to switch on/off air. All functions are operated by just two handles on the side of the unit, making it extremely simple to operate.

The DUAL NEXT technology allows 3 chemicals and rinse each blocks,

SU NEXT 0225 DUAL Block is prepared to operate i up to 25 bar

Technical data

Water:	Unit	SU NEXT 0225 DUAL Block
Min./max. inlet pressure	Bar	25-50 bar
Max. water consumption	L/min.	100
Pipe dimension inlet	Inch	½"
Air:		
Pipe dimensions inlet	Inch	¼"
Air supply	Bar	5/10
Air consumption	L/min.	150-200
Dimensions (WxHxD)	Mm	290x475x185
Weight	Kg	7

Standard accessories:

- 2 pcs 25/30 Rinsing Nozzle – "High Impact"
 - 2 pcs 2 2 pcs 5/30 Rinsing Lance – "High Impact"
 - 2 pcs 50/200 Foam Nozzle
 - 2 pcs 40/30 Disinfection Nozzle
 - Nozzle holder
- All nozzles are of course in stainless steel*

Optional accessories:

- Food hygiene hose
- Low pressure valve/low pressure gun
- Hose holder

Item number	Description
7001701	SU NEXT 0225-1
7001702	SU NEXT 0225-2
7001703	SU NEXT 0225-3
7001704	SU NEXT 0225-4
7001705	SU NEXT 0225-5

MODEL NUMBER	1. INJECTOR	2. INJECTOR	3. INJECTOR
xxxx-1	Foam	Spray	None
xxxx-2	Foam	Foam	None
xxxx-3	Foam	Spray	Spray
xxxx-4	Foam	Foam	Spray
xxxx-5	Foam	Foam	Foam

FOAMICO FO1

FOAMICO®

Main stations and satellites

The FOAMICO FO1 series represents the very best in engineering of surface cleaning solutions and it also represents a new way of thinking surface cleaning in the food and beverage industries.

FOAMICO FO1 has adapted the unique technology from FOAMICO generation NEXT, where you have the possibility for 3 chemicals in one and same injector block, meaning just 1 outlet. While looking at the traditional way of doing surface cleaning in the food and beverage industries, we realized that we had to construct a block technology, which is suited to cope with the improved processes. 2nd generation NEXT technology with improved efficiency came to life and the efficiency of the block technology is at a level, which ordinary equipment cannot achieve.

Standard range features 22 bar main stations, largest model can supply enough water for 3 simultaneous users. All main are equipped with the best energy-optimized motor technology available from Grundfos – Grundfos blueflux®.

The SU FO1 0125 satellite is to be connected with FOAMICO FO1 main station or FOAMICO booster, which will provide the satellite with pressurized water.



Main station

MS 0122

FOAMICO FO1

FOAMICO®



MS FO1 0122 is a main station for single and independent use.

The pump is frequency controlled, providing you with the latest technology from Grundfos. It is programmed to increase the inlet water pressure up to 23 bar. Energy consumption is minimized by controlling the pressure through the frequency converter.

MS FO1 0122 has no separate start/stop and no separate handle to switch on/off air. All functions are operated by just one handle on the side of the unit, making it extremely simple to operate.

The NEXT technology used in FO 1 series allows 3 chemicals in one and same injector block, meaning just 1 outlet.

Technical data

Water:	Unit	MS FO1 0122
Pump pressure at 3 bar inlet pressure	Bar	23
Min./max. inlet pressure	Bar	2/10
Max. water consumption	L/min.	65
Pipe dimension inlet/outlet	Inch	1 ¼"
Power supply:		
Standard voltage and frequency	V / Hz	380-480 / 50-60
Max. power consumption	kW	3,0
Dimensions (WxHxD)	Mm	500x930x380
Weight	Kg	85

Standard accessories:

FO1 Rinsing Nozzle – "High Impact"
FO1 Rinsing Lance – "High Impact"
FO1 Foam lance
50/200 Foam Nozzle
40/30 Disinfection Nozzle
Nozzle holder
All nozzles are of course in stainless steel

Optional accessories:

FO1 food hygiene hose
Low pressure valve/low pressure gun
Hose holder

Item number	Description
7001621	MS FO1 0122-1
7001622	MS FO1 0122-2
7001623	MS FO1 0122-3
7001624	MS FO1 0122-4
7001625	MS FO1 0122-5

MODEL NUMBER	1. INJECTOR	2. INJECTOR	3. INJECTOR
xxxx-1	Foam	Spray	None
xxxx-2	Foam	Foam	None
xxxx-3	Foam	Spray	Spray
xxxx-4	Foam	Foam	Spray
xxxx-5	Foam	Foam	Foam

Main station

MS 0222

FOAMICO FO1

FOAMICO®



MS FO1 0222 is a main station for single and independent use, or for use as a booster unit to provide pressurized water to FOAMICO satellites.

The pump is frequency controlled, providing you with the latest technology from Grundfos. It is programmed to increase the inlet water pressure up to 23 bar. Energy consumption is minimized by controlling the pressure through the build-in PI regulator.

MS FO1 0222 has no separate start/stop and no separate handle to switch on/off air. All functions are operated by just one handle on the side of the unit, making it extremely simple to operate.

The NEXT technology used in FO 1 series allows 3 chemicals in one and same injector block, meaning just 1 outlet.

Technical data

Water:

Pump pressure at 3 bar inlet pressure
Min./max. inlet pressure
Max. water consumption
Pipe dimension inlet
Pipe dimension outlet

Unit

Bar
Bar
L/min.
Inch
Inch

MS FO1 0222

23
2/10
120
1 ¼"
1 ¼"

Power supply:

Standard voltage and frequency
Max. power consumption
Dimensions (WxHxD)
Weight

V / Hz
kW
Mm
Kg

380-480 / 50-60
5,5
500x930x380
105

Standard accessories:

FO1 Rinsing Nozzle – “High Impact”
FO1 Rinsing Lance – “High Impact”
FO1 Foam lance
50/200 Foam Nozzle
40/30 Disinfection Nozzle
Nozzle holder
All nozzles are of course in stainless steel

Optional accessories:

FO1 food hygiene hose
Low pressure valve/low pressure gun
Hose holder

Optional:

SU FO1 0125



Item number	Description
7001631	MS FO1 0222-1
7001632	MS FO1 0222-2
7001633	MS FO1 0222-3
7001634	MS FO1 0222-4
7001635	MS FO1 0222-5

MODEL NUMBER	1. INJECTOR	2. INJECTOR	3. INJECTOR
xxxx-1	Foam	Spray	None
xxxx-2	Foam	Foam	None
xxxx-3	Foam	Spray	Spray
xxxx-4	Foam	Foam	Spray
xxxx-5	Foam	Foam	Foam

Main station

MS 0322

FOAMICO FO1

FOAMICO®



MS FO1 0322 is a main station for single and independent use, or for use as a booster unit to provide pressurized water to FOAMICO satellites.

The pump is frequency controlled, providing you with the latest technology from Grundfos. It is programmed to increase the inlet water pressure up to 23 bar. Energy consumption is minimized by controlling the pressure through the build-in PI regulator.

MS FO1 0322 has no separate start/stop and no separate handle to switch on/off air. All functions are operated by just one handle on the side of the unit, making it extremely simple to operate.

The NEXT technology used in FO 1 series allows 3 chemicals in one and same injector block, meaning just 1 outlet.

Technical data

Water:	Unit	MS FO1 0322
Pump pressure at 3 bar inlet pressure	Bar	23
Min./max. inlet pressure	Bar	2/10
Max. water consumption	L/min.	200
Pipe dimension inlet	Inch	1 1/4"
Pipe dimension outlet	Inch	1 1/4"
Power supply:		
Standard voltage and frequency	V / Hz	380-480 / 50-60
Max. power consumption	kW	7,5
Dimensions (WxHxD)	Mm	625x1280x415
Weight	Kg	130

Standard accessories:

- FO1 Rinsing Nozzle – "High Impact"
 - FO1 Rinsing Lance – "High Impact"
 - FO1 Foam lance
 - 50/200 Foam Nozzle
 - 40/30 Disinfection Nozzle
 - Nozzle holder
- All nozzles are of course in stainless steel*

Optional:

SU FO1 0125



Optional accessories:

- FO1 food hygiene hose
- Low pressure valve/low pressure gun
- Hose holder

Item number	Description
7001636	MS FO1 0322-1
7001637	MS FO1 0322-2
7001638	MS FO1 0322-3
7001639	MS FO1 0322-4
7001640	MS FO1 0322-5

MODEL NUMBER	1. INJECTOR	2. INJECTOR	3. INJECTOR
xxxx-1	Foam	Spray	None
xxxx-2	Foam	Foam	None
xxxx-3	Foam	Spray	Spray
xxxx-4	Foam	Foam	Spray
xxxx-5	Foam	Foam	Foam

Satellite
SU 0125
FOAMICO FO1



The SU FO1 0125 satellite is to be connected with FOAMICO main station or booster, which will provide the satellite with pressurized water.

SU FO1 0125 is designed with an easy maintainable manual change-over block.

SU FO1 0125 has no separate handle to switch on/off air. All functions are operated by just one handle on the side of the unit, making it extremely simple to operate.

The NEXT technology used in FO 1 series allows 3 chemicals in one and same injector block, meaning just 1 outlet.

Technical data

Water:	Unit	SU FO1 0125
Min./max. inlet pressure	Bar	10/25
Max. water consumption	L/min.	100
Pipe dimension inlet	Inch	1/2"
Air:		
Pipe dimensions inlet	Inch	1/4"
Air supply	Bar	5/10
Air consumption	L/min.	150-200
Dimensions (WxHxD)	Mm	290x475x185
Weight	Kg	6

Standard accessories:

- FO1 Rinsing Nozzle – “High Impact”
 - FO1 Rinsing Lance – “High Impact”
 - FO1 Foam lance
 - 50/200 Foam Nozzle
 - 40/30 Disinfection Nozzle
 - Nozzle holder
- All nozzles are of course in stainless steel*

Optional accessories:

- FO1 food hygiene hose
- Low pressure valve/low pressure gun
- Hose holder

Item number	Description
7001601	SU FO1 0125-1
7001602	SU FO1 0125-2
7001603	SU FO1 0125-3
7001604	SU FO1 0125-4
7001605	SU FO1 0125-5

MODEL NUMBER	1. INJECTOR	2. INJECTOR	3. INJECTOR
xxxx-1	Foam	Spray	None
xxxx-2	Foam	Foam	None
xxxx-3	Foam	Spray	Spray
xxxx-4	Foam	Foam	Spray
xxxx-5	Foam	Foam	Foam

Mobile units

FOAMICO®

FOAMICO mobile units are designed for single and independent use.

Our mobile units are available as either a 22 bar-model or a 45 bar-model. The 45 bar-model can operate at two different pressures - either 25 or 45 bar.

The mobile unit is very ergonomic and easy to maneuver. It has a robust, full stainless steel enclosure and stainless steel water in- and outlet. The unit is designed so that service is very easy to carry out. The mobile unit is equipped with the best energy-optimized motor technology available from Grundfos – Grundfos blueflux®.

FOAMICO mobile units come as either a Light version, which is for rinse and foam only, or with our generation NEXT block technology, enabling you to have 3 chemicals in one and same block, and still just one outlet.



Mobile unit
MO 0122



The MO 0122 is a single and independent mobile unit for one user. It has the option for compressor on board, or external air connection.

The pump is frequency controlled, providing you with the latest technology from Grundfos. It is programmed to increase the inlet water pressure up to 23 bar. Energy consumption is minimized by controlling the pressure through the build-in PI regulator.

MO 0122 is available only with our generation NEXT block technology enabling you to have 3 chemicals in one and same block, and still just one outlet.

Standard accessories:

25/30 Rinsing Nozzle – “High Impact”, 25/30 Rinsing Lance – “High Impact”, 50/200 Foam Nozzle and 40/30 Disinfection Nozzle. All nozzles are of course in stainless steel.

Technical data

Water:	Unit	MO 0122	MO 0122 XA*
Pump pressure at 3 bar inlet pressure	Bar	23	23
Min./max. inlet pressure	Bar	2/10	2/10
Max. water consumption	L/min.	50	50
Pipe dimension inlet	Inch	3/4"	3/4"
Power supply:			
Standard voltage	V	380-480	380-480
Frequency	Hz	50-60	50-60
Max. power consumption	kW	2,2 + 1,4	2,2
Dimensions (WxHxD)	Mm	725x975x985	725x975x985
Weight	Kg	135	99
* External air			

Generation NEXT

Item number	Description	Item number	Description
7001721	MO NEXT 0122-0	7001722	MO NEXT X-Air 0122-0
7001571	MO NEXT 0122-1	7001576	MO NEXT X-Air 0122-1
7001522	MO NEXT 0122-2	7001577	MO NEXT X-Air 0122-2
7001573	MO NEXT 0122-3	7001578	MO NEXT X-Air 0122-3
7001574	MO NEXT 0122-4	7001579	MO NEXT X-Air 0122-4
7001575	MO NEXT 0122-5	7001580	MO NEXT X-Air 0122-5

Mobile unit
MO 0222

FOAMICO®



The MO 0222 is a two user mobile unit. It has the option for compressor on board, or external air connection.

The pump is frequency controlled, providing you with the latest technology from Grundfos. It is programmed to increase the inlet water pressure up to 23 bar. Energy consumption is minimized by controlling the pressure through the frequency converter.

MO NEXT 0222 has no separate start/stop and no separate handle to switch on/off air. All functions are operated by just one handle on the side of the unit, making it extremely simple to operate.

The NEXT technology allows 3 chemicals in one and same injector block, meaning just 1 outlet.

Technical data

Water:	Unit	MO 0222	MO 0222 XA*
Pump pressure at 3 bar inlet pressure	Bar	23	23
Min./max. inlet pressure	Bar	2/10	2/10
Max. water consumption	L/min.	100	100
Pipe dimension inlet	Inch	1"	1"
Power supply:			
Standard voltage	V	380-480	380-480
Frequency	Hz	50-60	50-60
Max. power consumption	kW	4,0 + 1,4	4,0
Dimensions (WxHxD)	Mm	725x975x985	725x975x985
Weight	Kg	150	125

* External air

Generation NEXT

Item number	Description
7001711	MO NEXT 0222-1
7001712	MO NEXT 0222-2
7001713	MO NEXT 0222-3
7001714	MO NEXT 0222-4
7001715	MO NEXT 0222-5
7001716	MO NEXT X-Air 0222-1
7001717	MO NEXT X-Air 0222-2
7001718	MO NEXT X-Air 0222-3
7001719	MO NEXT X-Air 0222-4
7001720	MO NEXT X-Air 0222-5

MODEL NUMBER	1. INJECTOR	2. INJECTOR	3. INJECTOR
xxxx-0	Foam	None	None
xxxx-1	Foam	Spray	None
xxxx-2	Foam	Foam	None
xxxx-3	Foam	Spray	Spray
xxxx-4	Foam	Foam	Spray
xxxx-5	Foam	Foam	Foam

Mobile unit
MO 0145



The MO 0145 is a single and independent mobile unit for one user. It has the option for compressor on board, or external air connection.

The pump is frequency controlled, providing you with the latest technology from Grundfos. It is programmed to increase the inlet water pressure up to 45 bar. Energy consumption is minimized by controlling the pressure through the build-in PI regulator. The mobile unit can operate at two different pressures – either 25 or 45 bar. The function is controlled by a switch on the backside of the unit.

MO 0145 is available only with our generation NEXT block technology enabling you to have 3 chemicals in one and same block, and still just one outlet.

Standard accessories:

25/30 Rinsing Nozzle – “High Impact”, 25/30 Rinsing Lance – “High Impact”, 50/200 Foam Nozzle and 40/30 Disinfection Nozzle. All nozzles are of course in stainless steel.

Technical data

Water:	Unit	MO 0145	MO 0145 XA*
Pump pressure 1. at 3 bar inlet pressure	Bar	25	25
Pump pressure 2. at 3 bar inlet pressure	Bar	45	45
Min./max. inlet pressure	Bar	2/4	2/4
Pressure at 30 l/min.	Bar	45	45
Pipe dimension inlet	Inch	¾"	¾"
Power supply:			
Standard voltage	V	380-480	380-480
Frequency	Hz	50-60	50-60
Max. power consumption	kW	7,5 + 1,4	7,5
Dimensions (WxHxL)	Mm	725x1375x985	725x1375x985
Weight	Kg	170	135

* External air

Generation NEXT

Item number	Description
7001581	MO NEXT 0145-1
7001582	MO NEXT 0145-2
7001583	MO NEXT 0145-3
7001584	MO NEXT 0145-4
7001585	MO NEXT 0145-5
7001586	MO NEXT X-Air 0145-1
7001587	MO NEXT X-Air 0145-2
7001588	MO NEXT X-Air 0145-3
7001589	MO NEXT X-Air 0145-4
7001590	MO NEXT X-Air 0145-5

MODEL NUMBER	1. INJECTOR	2. INJECTOR	3. INJECTOR
xxxx-0	Foam	None	None
xxxx-1	Foam	Spray	None
xxxx-2	Foam	Foam	None
xxxx-3	Foam	Spray	Spray
xxxx-4	Foam	Foam	Spray
xxxx-5	Foam	Foam	Foam

Boosters

FOAMICO®

FOAMICO boosters are developed and designed for central installation. A boosters main function is to provide pressurized water for FOAMICO satellites.

Our booster program makes it possible to choose exactly the solution needed to solve the individual cleaning task. The booster is chosen from the total water consumption for the number of satellites you want to use at the same time.

Our standard range carries boosters, which can increase the pressure by either 22 bar or 40 bar and supply water up to 810 liter water per minute. All boosters are equipped with the best energy-optimized motor technology available from Grundfos – Grundfos blueflux®.



Booster

B 050-22/B 065-22

FOAMICO®



The pump is frequency controlled, providing you with the latest technology from Grundfos. It is programmed to increase the inlet water pressure up to 23 bar. Energy consumption for B 050-22 is controlled by the frequency converter, while in B 065-22 through the build-in PI regulator.

B 050-22 allows 1 simultaneous users, while B 065-22 allows up to 2. Both the B 050-22 and B 065-22 can be delivered in either a cabinet, or on a floor bracket.

Both B 050-22 and B 065-22 come with a pressure switch as standard, which secures the booster from running with too little water, preventing cavitation. Furthermore they are also fitted with a temperature switch as protection against too high water temperature. This protects the pump, but also the people who clean.

Technical data

Water:	Unit	B 050-22	B 065-22	Optional:
Pump pressure at 3 bar inlet pressure	Bar	23	23	Satellites
Min./max. inlet pressure	Bar	2/10	2/10	
Max. water consumption	L/min.	50	60	
Pipe dimension inlet	Inch	1 1/4"	1 1/4"	
Pipe dimension outlet	Inch	1 1/4"	1 1/4"	
Power supply:				
Standard voltage	V	380-480	380-480	
Frequency	Hz	50-60	50-60	
Max. power consumption	kW	2,2	3,0	
Dimensions floor bracket (WxHxD)	mm	440x1025x400	440x1025x400	
Weight	kg	59,5	59,5	
Dimensions cabinet (WxHxD)	mm	510x970x370	510x970x370	
Weight	kg	78	78	



Item number	Description	Version
7002013	B 050-22 F	Floor bracket
7002014	B 050-22 C	Cabinet
7002015	B 065-22 F	Floor bracket
7002016	B 065-22 C	Cabinet

Booster

B 100-22/B 120-22

FOAMICO®



The pump is frequency controlled, providing you with the latest technology from Grundfos. It is programmed to increase the inlet water pressure up to 23 bar. Energy consumption is minimized by controlling the pressure through the build-in PI regulator.

B 100-22 has a capacity of 100 liter per minute, allowing up to 3 simultaneous users, while B 120-22 has a capacity of 120 liter per minute, allowing up to 4 users. Both the B 100-22 and B 120-22 can be delivered in either a cabinet, or on a floor bracket.

Both B 100-22 and B 120-22 come with a pressure switch as standard, which secures the booster from running with too little water, preventing cavitation. Furthermore they are also fitted with a temperature switch as protection against too high water temperature. This protects the pump, but also the people who clean.

Technical data

Water:	Unit	B 100-22	B 120-22
Pump pressure at 3 bar inlet pressure	Bar	23	23
Min./max. inlet pressure	Bar	2/10	2/10
Max. water consumption	L/min.	100	120
Pipe dimension inlet	Inch	1 ¼"	1 ¼"
Pipe dimension outlet	Inch	1 ¼"	1 ¼"
Power supply:			
Standard voltage	V	380-480	380-480
Frequency	Hz	50-60	50-60
Max. power consumption	kW	4,0	5,5
Dimensions floor bracket (WxHxD)	Mm	423x1038x400	423x1038x400
Weight	Kg	85	110
Dimensions cabinet (WxHxD)	Mm	502x952x367	502x952x367
Weight	Kg	115	135

Optional: Satellites



Item number	Description	Version
7002000	B 100-22 F	Floor bracket
7002001	B 100-22 C	Cabinet
7002002	B 120-22 F	Floor bracket
7002003	B 120-22 C	Cabinet

Booster

B 200-22/B 270-22

FOAMICO®



The pump is frequency controlled, providing you with the latest technology from Grundfos. It is programmed to increase the inlet water pressure up to 23 bar. Energy consumption is minimized by controlling the pressure through the build-in PI regulator.

B 200-22 has a capacity of 200 liter per minute, allowing up to 6 simultaneous users, while B 270-22 has a capacity of 270 liter per minute, allowing up to 9 users. B 200-22 can be delivered in either a cabinet, or on a floor bracket. B 270-22 comes only on a floor bracket.

Both B 200-22 and B 270-22 come with a pressure switch as standard, which secures the booster from running with too little water, preventing cavitation. Furthermore they are also fitted with a temperature switch as protection against too high water temperature. This protects the pump, but also the people who clean.

Technical data

Water:

Pump pressure at 3 bar inlet pressure
Min./max. inlet pressure
Max. water consumption
Pipe dimension inlet
Pipe dimension outlet

Power supply:

Standard voltage
Frequency
Max. power consumption
Dimensions (WxHxD)
Weight

Unit	B 200-22	B 270-22
Bar	23	23
Bar	2/10	2/10
L/min.	200	270
Inch	1 ½"	2"
Inch	1 ½"	2"
V	380-480	380-480
Hz	50-60	50-60
kW	7,5	11,0
Mm	535x1052x400	600x1260x500
Kg	99	207

Optional: Satellites



Item number	Description	Version
7002004	B 200-22 F	Floor bracket
7002005	B 200-22 C	Cabinet
7002010	B 270-22 F	Floor bracket

Booster
B 400-22 FCU



B400-22 FCU has the latest CU352 controller with digital display.

The pumps are frequency controlled, providing you with the latest technology from Grundfos. The booster is programmed to increase the inlet water pressure up to 23 bar. Energy consumption is minimized by controlling the pressure through the build-in PI regulator.

The booster has a capacity of 400 liter per minute.

The booster come with a pressure transmitter on the inlet pipe. This secure the booster against dry running. Furthermore they are also fitted with a temperature switch as protection against too high water temperature. This protects the pump, but also the people who clean.

The booster has automatic change between the starting pump, meaning that wear and tear is evenly distributed on the 2 pumps.

The display Shows the actual status, inlet pressure outlet pressure which pumps are running .

It can be connected to intranet for remote surveillance.

Technical data

Water:	Unit	B 400-22 FCU
Pump pressure at 3 bar inlet pressure	Bar	23
Min./max. inlet pressure	Bar	2/10
Max. water consumption	L/min.	400
Max. temperature	°C	70
Pressure at 30 l/min.	Bar	23
Pipe dimension inlet	Inch	3" flange
Pipe dimension outlet	Inch	3" flange
Power supply:		
Standard voltage	V	380-480
Frequency	Hz	50-60
Max. power consumption	kW	15
Nominal current	A	29,6-23,2
Fuse	A	35
Electrical connection	Mm ²	6
Dimensions (WxHxD)	Mm	1200x1045x1180
Weight	Kg	375

Optional:
Satellites



Item number	Description	Version
7002105	B 400-22 FCU	Floor bracket

Booster
B 540-22 FCU



B540-22 FCU has the latest CU352 controller with digital display.

The pumps are frequency controlled, providing you with the latest technology from Grundfos. The booster is programmed to increase the inlet water pressure up to 23 bar. Energy consumption is minimized by controlling the pressure through the build-in PI regulator.

The booster has a capacity of 540 liter per minute.

The booster come with a pressure transmitter on the inlet pipe. This secure the booster against dry running. Furthermore they are also fitted with a temperature switch as protection against too high water temperature. This protects the pump, but also the people who clean.

The booster has automatic change between the starting pump, meaning that wear and tear is evenly distributed on the 2 pumps.

The display Shows the actual status, inlet pressure outlet pressure which pumps are running .

It can be connected to intranet for remote surveillance.

Technical data

Water:	Unit	B 540-22 FCU
Pump pressure at 4 bar inlet pressure	Bar	22
Min./max. inlet pressure	Bar	2/10
Max. water consumption	L/min.	540
Max. temperature	°C	70
Pressure at 30 l/min.	Bar	23
Pipe dimension inlet	Inch	3" flange
Pipe dimension outlet	Inch	3" flange
Power supply:		
Standard voltage	V	380-480
Frequency	Hz	50-60
Max. power consumption	kW	2x11,0
Nominal current	A	29,3-23,2
Fuse	A	47
Electrical connection	Mm ²	4x5,0
Dimensions (WxHxD)	Mm	1200x1300x1450
Weight	Kg	475

**Optional:
Satellites**



Item number	Description	Version
7002106	B 540-22 F FCU	Floor bracket

Booster
B 630-22 FCU



B630-22 FCU has the latest CU352 controller with digital display.

The pumps are frequency controlled, providing you with the latest technology from Grundfos. The booster is programmed to increase the inlet water pressure up to 23 bar. Energy consumption is minimized by controlling the pressure through the build-in PI regulator.

B 630-22 FCU has a capacity of 630 liter per minute, allowing up to 20 simultaneous users. B 630-22 will be delivered on a floor bracket.

B 630-22 FCU comes with a pressure switch as standard, which secures the booster from running with too little water, preventing cavitation. Furthermore they are also fitted with a temperature switch as protection against too high water temperature. This protects the pumps, but also the people who clean.

Furthermore the booster has automatic change between the starting pump, meaning that wear and tear is evenly distributed on the 3 pumps.

Technical data

Water:	Unit	B 630-22 FCU
Pump pressure at 3 bar inlet pressure	Bar	23
Min./max. inlet pressure	Bar	2/10
Max. water consumption	L/min.	630
Pipe dimension inlet	Inch	3" flange
Pipe dimension outlet	Inch	3" flange
Power supply:		
Standard voltage	V	380-480
Frequency	Hz	50-60
Max. power consumption	kW	3x7,5
Dimensions (WxHxD)	Mm	1200x1300x2050
Weight	Kg	450

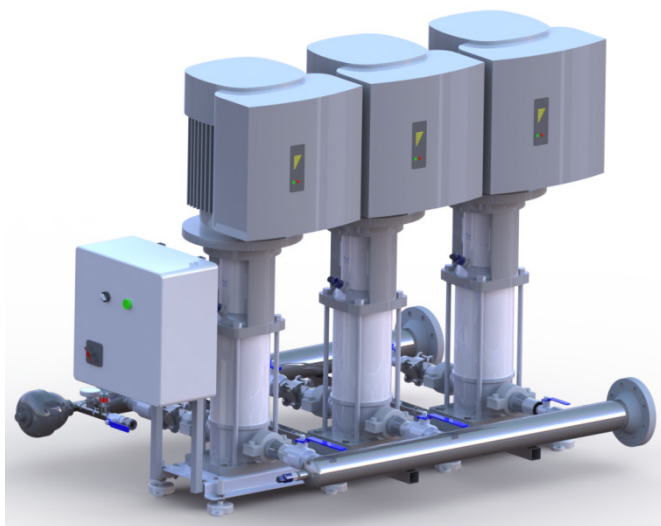
Optional:
Satellites



Item number	Description	Version
7002107	B 630-22 FCU	Floor bracket

Booster
B 810-22

FOAMICO®



B810-22 FCU has the latest CU352 controller with digital display.

The pumps are frequency controlled, providing you with the latest technology from Grundfos. The booster is programmed to increase the inlet water pressure up to 23 bar. Energy consumption is minimized by controlling the pressure through the build-in PI regulator.

B 810-22 has a capacity of 810 liter per minute, allowing up to 27 simultaneous users. B 810-22 will be delivered on a floor bracket.

B 810-22 comes with a pressure switch as standard, which secures the booster from running with too little water, preventing cavitation. Furthermore they are also fitted with a temperature switch as protection against too high water temperature. This protects the pumps, but also the people who clean.

Furthermore the booster has automatic change between the starting pump, meaning that wear and tear is evenly distributed on the 3 pumps.

Technical data

Water:	Unit	B 810-22
Pump pressure at 3 bar inlet pressure	Bar	23
Min./max. inlet pressure	Bar	2/10
Max. water consumption	L/min.	810
Pipe dimension inlet	Inch	3" flange
Pipe dimension outlet	Inch	3" flange
Power supply:		
Standard voltage	V	380-480
Frequency	Hz	50-60
Max. power consumption	kW	3x11,0
Dimensions (WxHxD)	Mm	1200x1300x2050
Weight	Kg	700

Optional:
Satellites



Item number	Description	Version
7002103	B 810-22 F	Floor bracket

Booster

B 060-45/B 090-40

FOAMICO®



The pump is frequency controlled, providing you with the latest technology from Grundfos. It is programmed to increase the inlet water pressure up to 45 bar. When 2 satellites are connected the pressure will be increased to 40 bar. Energy consumption is minimized by controlling the pressure through the build-in PI regulator.

B 060-45 allows one user, while B 090-40 allows up to 2 users. Both B 060-45 and B 090-40 will be delivered on a floor bracket.

Both B 060-45 and B 090-40 come with a pressure switch as standard, which secures the booster from running with too little water, preventing cavitation. Furthermore they are also fitted with a temperature switch as protection against too high water temperature. This protects the pump, but also the people who clean.

Technical data

	Unit	B 060-45	B 090-40	Optional: Satellites
Water:				
Pump pressure at 3 bar inlet pressure	Bar	45	40	
Min./max. inlet pressure	Bar	2/10	2/10	
Max. water consumption	L/min.	60	90	
Pipe dimension inlet	Inch	1 ¼"	1 ¼"	
Pipe dimension outlet	Inch	1 ¼"	1 ¼"	
Power supply:				
Standard voltage	V	380-480	380-480	
Frequency	Hz	50-60	50-60	
Max. power consumption	kW	7,5	7,5	
Dimensions (WxHxD)	Mm	550x1150x400	550x1150x400	
Weight	Kg	90	95	



Item number	Description	Version
7002011	B 060-45 F	Floor bracket
7002012	B 090-40 F	Floor bracket

Booster
B 200-40

FOAMICO®



The pumps are frequency controlled, providing you with the latest technology from Grundfos. The booster is programmed to increase the inlet water pressure up to 40 bar. When 6 satellites are connected the pressure will be increased to 40 bar. Energy consumption is minimized by controlling the pressure through the build-in PI regulator.

B 200-40 allows up to 6 simultaneous users. B 200-40 will be delivered on a floor bracket.

B 200-40 comes with a pressure switch as standard, which secures the booster from running with too little water, preventing cavitation. Furthermore it is fitted with a temperature switch as protection against too high water temperature. This protects the pumps, but also the people who clean.

Technical data

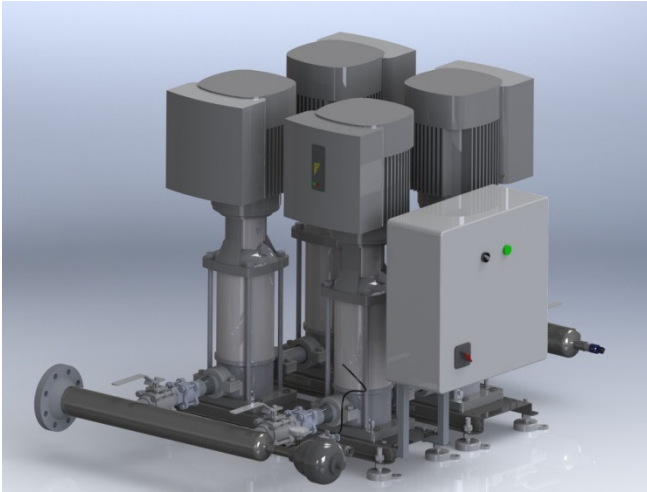
Water:	Unit	B 200-40
Pump pressure at 3 bar inlet pressure	Bar	40
Min./max. inlet pressure	Bar	2/10
Max. water consumption	L/min.	200
Pipe dimension inlet	Inch	1 ½"
Pipe dimension outlet	Inch	1 ½"
Power supply:		
Standard voltage	V	380-480
Frequency	Hz	50-60
Max. power consumption	kW	2x 7,5
Dimensions (WxHxD)	Mm	1150x1100x600
Weight	Kg	205

Optional:
Satellites



Item number	Description	Version
7002141	B 200-40 F	Floor bracket

Booster
B 400-40 FCU



The pumps are frequency controlled, providing you with the latest technology from Grundfos. It is programmed to increase the inlet water pressure up to 40 bar. Energy consumption is minimized by controlling the pressure through the build-in PI regulator.

B 400-40 FCU has a capacity of 400 liter per minute, allowing up to 12 simultaneous users. B 400-40 FCU will be delivered on a floor bracket.

B 400-40 FCU comes with a pressure switch as standard, which secures the booster from running with too little water, preventing cavitation. Furthermore they are also fitted with a temperature switch as protection against too high water temperature. This protects the pump, but also the people who clean.

Furthermore the booster has automatic change between the starting pump sets, meaning that wear and tear is evenly distributed on the 2 pump sets.

Technical data

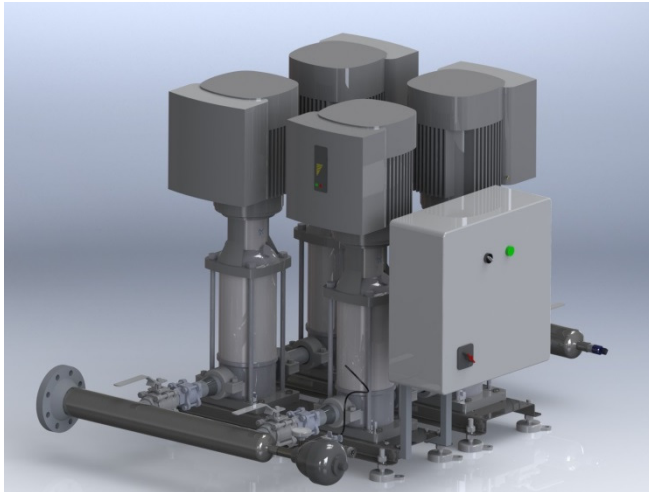
Water:	Unit	B 400-40 FCU
Pump pressure at 3 bar inlet pressure	Bar	40
Min./max. inlet pressure	Bar	2/10
Max. water consumption	L/min.	400
Pipe dimension inlet	Inch	3" flange
Pipe dimension outlet	Inch	3" flange
Power supply:		
Standard voltage	V	380-480
Frequency	Hz	50-60
Max. power consumption	kW	4x7,5
Dimensions (WxHxD)	Mm	1400x1250x1400
Weight	Kg	550

Optional:
 Satellites



Item number	Description	Version
Upon request	B 400-40 FCU	Floor bracket

Booster
B 540-40 FCU



The pumps are frequency controlled, providing you with the latest technology from Grundfos. The booster is programmed to increase the inlet water pressure up to 40 bar. Energy consumption is minimized by controlling the pressure through the built-in PI regulator.

B 540-40 FCU has a capacity of 540 liter per minute, allowing up to 18 simultaneous users. B 540-40 FCU will be delivered on a floor bracket.

B 540-40 FCU comes with a pressure switch as standard, which secures the booster from running with too little water, preventing cavitation. Furthermore they are also fitted with a temperature switch as protection against too high water temperature. This protects the pumps, but also the people who clean.

Furthermore the booster has automatic change between the starting pump sets, meaning that wear and tear is evenly distributed on the 2 pump sets.

Technical data

Water:	Unit	B 540-40
Pump pressure at 3 bar inlet pressure	Bar	40
Min./max. inlet pressure	Bar	2/10
Max. water consumption	L/min.	540
Pipe dimension inlet	Inch	3" flange
Pipe dimension outlet	Inch	3" flange
Power supply:		
Standard voltage	V	380-480
Frequency	Hz	50-60
Max. power consumption	kW	4x11,0
Dimensions (WxHxD)	Mm	1400x1300x1450
Weight	Kg	950

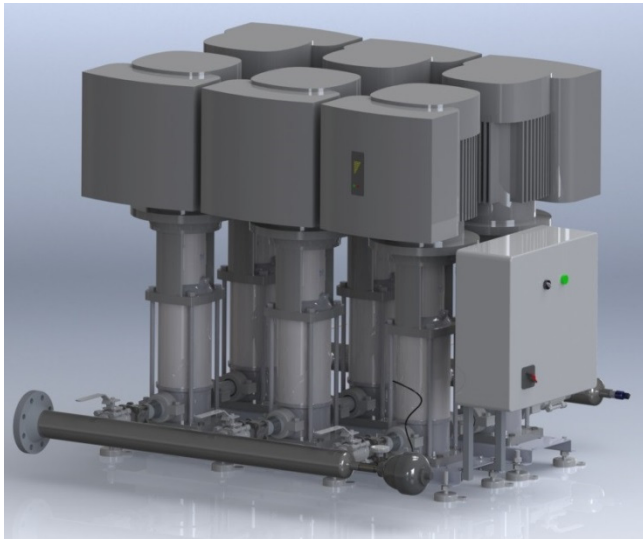
Optional:
Satellites



Item number	Description	Version
Upon request	B 540-40 FCU	Floor bracket

Booster

B 810-40 FCU



The pumps are frequency controlled, providing you with the latest technology from Grundfos. The booster programmed to increase the inlet water pressure up to 40 bar. Energy consumption is minimized by controlling the pressure through the build-in PI regulator.

B 810-40 FCU has a capacity of 810 liter per minute, allowing up to 27 simultaneous users. B 810-40 FCU will be delivered on a floor bracket.

B 810-40 FCU comes with a pressure switch as standard, which secures the booster from running with too little water, preventing cavitation. Furthermore they are also fitted with a temperature switch as protection against too high water temperature. This protects the pumps, but also the people who clean.

Furthermore the booster has automatic change between the starting pump sets, meaning that wear and tear is evenly distributed on the 3 pump sets.

Technical data

Water:	Unit	B 810-40 FCU
Pump pressure at 3 bar inlet pressure	Bar	40
Min./max. inlet pressure	Bar	2/10
Max. water consumption	L/min.	810
Pipe dimension inlet	Inch	3" flange
Pipe dimension outlet	Inch	3" flange
Power supply:		
Standard voltage	V	380-480
Frequency	Hz	50-60
Max. power consumption	kW	6x11,0
Dimensions (WxHxD)	Mm	1400x1300x2050
Weight	Kg	1200

Optional: Satellites



Item number	Description	Version
Upon request	B 810-40 FCU	Floor bracket

Base line

FOAMICO®

Main stations and satellites

Main stations are designed for independent use or for use as a booster unit to provide pressurized water for FOAMICO satellites. We carry a wide range of main stations and have a unit for every purpose - ranging from 6 to 45 bar. Largest model available can supply water for up to 6 simultaneous users at 23 bar. All main stations – except the 6 bar-model - are equipped with the best energy-optimized motor technology available from Grundfos – Grundfos blueflux®.

The SU 0125/SU 0150 satellite is to be connected with FOAMICO main station or booster, which will provide the satellite with pressurized water.

Base line series is extremely easy to operate and maintain.

Base line series main stations and satellites are available in 3 versions.



Main station
MS 0106/MS C 0106

Base line



MS 0106/MS C 0106 is a main station for single and independent use and it is designed for super markets and small kitchen areas.

The system is controlled by a flow switch. When the change-over handle is placed in rinse, foam or sanitize, the pump is in standby and starts only when the gun or low pressure valve is opened.

The build in compressor in MS C 0106 only runs when the change-over block is in foam-position and the pump runs.

MS 0106/MS C 0106 is designed with an easy maintainable manual change-over block. The change-over function is operated by a stainless steel handle on the side of the unit.

The main station is available in 3 versions:

- Normal:** Rinse/foam
- D:** Rinse/foam and separate disinfection
- FD:** Rinse/foam and separate foam disinfection

Technical data

Water:	Unit	MS 0106	MS C 0106
Pump pressure at 3 bar inlet pressure	Bar	9,5	9,5
Min./max. inlet pressure	Bar	2/4	2/4
Max. water consumption	L/min.	30	30
Pipe dimension inlet	Inch	1"	1"
Power supply:			
Standard voltage	V	1x 220-240	1x 220-240
Frequency	Hz	50	50
Max. power consumption	kW	0,5	1,0
Dimensions (WxHxD)	Mm	505x680x380	505x680x380
Weight	Kg	38	46

Standard accessories:

- 15/20 Rinsing Nozzle – "High Impact"
- 15/20 Rinsing Lance – "High Impact"
- 65/150 Foam Nozzle
- 40/30 Disinfection Nozzle
- Nozzle holder
- All nozzles are of course in stainless steel*

Optional accessories:

- Food hygiene hose
- Low pressure valve/low pressure gun
- Hose holder

Item number	Description	Version
7001331	MS 0106	Rinse/foam
7001332	MS 0106 D	Rinse/foam/disinfection
7001333	MS 0106 FD	Rinse/foam/foam disinfection
7001134	MS C 0106	Rinse/foam incl. compressor
7001135	MS C 0106 D	Rinse/foam/disinfection incl. compressor
7001136	MS C 0106 FD	Rinse/foam/foam disinfection incl. compressor

Main station
MS 0112/MS C 0112



Base line



MS 0112/MS C 0112 is a main station for single and independent use and it is designed for small food plants, super markets and large kitchen areas.

The pump is frequency controlled, providing you with the latest technology from Grundfos. The pump increases the inlet water pressure up to 14 bar.

The build in compressor in MS C 0112 only runs when the change-over block is in foam-position and the pump runs.

MS 0112/MS C 0112 is designed with an easy maintainable manual change-over block. The change-over function is operated by a stainless steel handle on the side of the unit.

The main station is available in 3 versions:

- Normal:** Rinse/foam
- D:** Rinse/foam and separate disinfection
- FD:** Rinse/foam and separate foam disinfection

Technical data

Water:	Unit	MS 0112	MS C 0112
Pump pressure at 3 bar inlet pressure	Bar	14	14
Min./max. inlet pressure	Bar	2/10	2/10
Max. water consumption	L/min.	40	40
Pipe dimension inlet	Inch	1"	1"
Power supply:			
Standard voltage	V	1x 220-240	1x 220-240
Frequency	Hz	50-60	50-60
Max. power consumption	kW	1,1	1,6
Dimensions (WxHxD)	Mm	505x680x380	505x680x380
Weight	Kg	55	63

Standard accessories:

- 25/30 Rinsing Nozzle – "High Impact"
 - 25/30 Rinsing Lance – "High Impact"
 - 50/200 Foam Nozzle
 - 40/30 Disinfection Nozzle
 - Nozzle holder
- All nozzles are of course in stainless steel*

Optional accessories:

- Food hygiene hose
- Low pressure valve/low pressure gun
- Hose holder

Item number	Description	Version
7001311	MS 0112	Rinse/foam
7001312	MS 0112 D	Rinse/foam/disinfection
7001313	MS 0112 FD	Rinse/foam/foam disinfection
7001137	MS C 0112	Rinse/foam incl. compressor
7001138	MS C 0112 D	Rinse/foam/disinfection incl. compressor
7001139	MS C 0112 FD	Rinse/foam/foam disinfection incl. compressor

Main station

MS 0122

Base line

FOAMICO®



MS 0122 is a main station for single and independent use.

The pump is frequency controlled, providing you with the latest technology from Grundfos. It is programmed to increase the inlet water pressure up to 23 bar. Energy consumption is minimized by controlling the pressure through the frequency converter.

MS 0122 is designed with an easy maintainable manual change-over block. The change-over function is operated by a stainless steel handle on the side of the unit.

The main station is available in 3 versions:

Normal: Rinse/foam

D: Rinse/foam and separate disinfection

FD: Rinse/foam and separate foam disinfection.

Technical data

Water:	Unit	MS 0122
Pump pressure at 3 bar inlet pressure	Bar	23
Min./max. inlet pressure	Bar	2/10
Max. water consumption	L/min.	50
Pipe dimension inlet/outlet	Inch	1 ¼"
Power supply:		
Standard voltage and frequency	V / Hz	380-480 / 50-60
Max. power consumption	kW	2,2
Dimensions (WxHxD)	Mm	500x930x380
Weight	Kg	80

Standard accessories:

25/30 Rinsing Nozzle – "High Impact"

25/30 Rinsing Lance – "High Impact"

50/200 Foam Nozzle

40/30 Disinfection Nozzle

Nozzle holder

All nozzles are of course in stainless steel

Optional accessories:

Food hygiene hose

Low pressure valve/low pressure gun

Hose holder

Item number	Description	Version
7001314	MS 0122	Rinse/foam
7001315	MS 0122 D	Rinse/foam/disinfection
7001316	MS 0122 FD	Rinse/foam/foam disinfection

Main station

MS 0145

Base line

FOAMICO®



MS 0145 is a main station for single and independent use.

The pump is frequency controlled, providing you with the latest technology from Grundfos. It is programmed to increase the inlet water pressure up to 45 bar. Energy consumption is minimized by controlling the pressure through the build-in PI regulator. The main station can operate at two different pressures – either 25 or 45 bar. The function is controlled by a switch on the side of the unit.

MS 0145 is designed with an easy maintainable manual change-over block. The change-over function is operated by a stainless steel handle on the side of the unit.

The main station is available in 3 versions:

- Normal:** Rinse/foam
- D:** Rinse/foam and separate disinfection
- FD:** Rinse/foam and separate foam disinfection

Technical data

Water:	Unit	MS 0145
Pump pressure 1. at 3 bar inlet pressure	Bar	25
Pump pressure 2. at 3 bar inlet pressure	Bar	45
Min./max. inlet pressure	Bar	2/10
Max. water consumption	L/min.	60
Pipe dimension inlet/outlet	Inch	1 ¼"
Power supply:		
Standard voltage and frequency	V / Hz	380-480 / 50-60
Max. power consumption	kW	7,5
Dimensions (WxHxD)	Mm	630x1255x435
Weight	Kg	130

Standard accessories:

25/30 Rinsing Nozzle – “High Impact”
25/30 Rinsing Lance – “High Impact”
50/200 Foam Nozzle
40/30 Disinfection Nozzle
Nozzle holder
All nozzles are of course in stainless steel

Optional accessories:

Food hygiene hose
Low pressure valve/low pressure gun
Hose holder

Item number	Description	Version
7001370	MS 0145	Rinse/foam
7001371	MS 0145 D	Rinse/foam/disinfection
7001372	MS 0145 FD	Rinse/foam/foam disinfection

Main station

MS 0222

Base line

FOAMICO®



MS 0222 is a main station for independent use, or for use as a booster unit to provide pressurized water to FOAMICO satellites.

The pump is frequency controlled, providing you with the latest technology from Grundfos. It is programmed to increase the inlet water pressure up to 23 bar. Energy consumption is minimized by controlling the pressure through the build-in PI regulator.

MS 0222 is designed with an easy maintainable manual change-over block. The change-over function is operated by a stainless steel handle on the side of the unit. The system is able to provide enough water for up to 2 simultaneous users.

The main station is available in 3 versions:

Normal: Rinse/foam

D: Rinse/foam and separate disinfection

FD: Rinse/foam and separate foam disinfection

Technical data

Water:

Pump pressure at 3 bar inlet pressure
Min./max. inlet pressure
Max. water consumption
Pipe dimension inlet
Pipe dimension outlet

Unit

Bar
Bar
L/min.
Inch
Inch

MS 0222

23
2/10
65
1 ¼"
1 ¼"

Power supply:

Standard voltage and frequency
Max. power consumption
Dimensions (WxHxD)
Weight

V / Hz
kW
Mm
Kg

380-480 / 50-60
3,0
500x930x380
84

Standard accessories:

25/30 Rinsing Nozzle – "High Impact"
25/30 Rinsing Lance – "High Impact"
50/200 Foam Nozzle
40/30 Disinfection Nozzle
Nozzle holder
All nozzles are of course in stainless steel

Optional accessories:

Food hygiene hose
Low pressure valve/low pressure gun
Hose holder

Optional:

Satellites



Item number

7001317
7001318
7001319

Description

MS 0222
MS 0222 D
MS 0222 FD

Version

Rinse/foam
Rinse/foam/disinfection
Rinse/foam/foam disinfection

Main station

MS 0240

Base line

FOAMICO®



MS 0240 is a main station for independent use, or for use as a booster unit to provide pressurized water to FOAMICO satellites.

The pump is frequency controlled, providing you with the latest technology from Grundfos. It is programmed to increase the inlet water pressure up to 40 bar. Energy consumption is minimized by controlling the pressure through the build-in PI regulator.

MS 0240 is designed with an easy maintainable manual change-over block. The change-over function is operated by a stainless steel handle on the side of the unit. The system is able to provide enough water for up to 2 simultaneous users.

The main station is available in 3 versions:

Normal: Rinse/foam

D: Rinse/foam and separate disinfection

FD: Rinse/foam and separate foam disinfection

Technical data

Water:

Pump pressure at 3 bar inlet pressure

Min./max. inlet pressure

Max. water consumption

Pipe dimension inlet

Pipe dimension outlet

Power supply:

Standard voltage and frequency

Max. power consumption

Dimensions (WxHxD)

Weight

Unit

Bar

Bar

L/min.

Inch

Inch

V / Hz

kW

Mm

Kg

MS 0240

40

2/10

90

1 ¼"

1 ¼"

380-480 / 50-60

7,5

630x1255x435

130

Optional:

Satellites



Standard accessories:

25/30 Rinsing Nozzle – "High Impact"

25/30 Rinsing Lance – "High Impact"

50/200 Foam Nozzle

40/30 Disinfection Nozzle

Nozzle holder

All nozzles are of course in stainless steel

Optional accessories:

Food hygiene hose

Low pressure valve/low pressure gun

Hose holder

Item number	Description	Version
7001373	MS 0240	Rinse/foam
7001374	MS 0240 D	Rinse/foam/disinfection
7001375	MS 0240 FD	Rinse/foam/foam disinfection

Main station
MS 0322/MS 0422



Base line



MS 0322/MS 0422 is a main station for independent use, or for use as a booster unit to provide pressurized water to FOAMICO satellites.

The pump is frequency controlled, providing you with the latest technology from Grundfos. It is programmed to increase the inlet water pressure up to 23 bar. Energy consumption is minimized by controlling the pressure through the build-in PI regulator.

MS 0322/MS 0422 is designed with an easy maintainable manual change-over block. The change-over function is operated by a stainless steel handle on the side of the unit. The system is able to provide enough water for up to 3-4 simultaneous users, depending on the model.

The main station is available in 3 versions:

- Normal:** Rinse/foam
- D:** Rinse/foam and separate disinfection
- FD:** Rinse/foam and separate foam disinfection

Technical data

Water:	Unit	MS 0322	MS 0422
Pump pressure at 3 bar inlet pressure	Bar	23	23
Min./max. inlet pressure	Bar	2/10	2/10
Max. water consumption	L/min.	100	120
Pipe dimension inlet	Inch	1 ¼"	1 ¼"
Pipe dimension outlet	Inch	1 ¼"	1 ¼"
Power supply:			
Standard voltage and frequency	V / Hz	380-480 / 50-60	380-480 / 50-60
Max. power consumption	kW	4,0	5,5
Dimensions (WxHxD)	Mm	500x930x380	500x930x380
Weight	Kg	95	105

Optional:
Satellites



Standard accessories:

- 25/30 Rinsing Nozzle – “High Impact”
- 25/30 Rinsing Lance – “High Impact”
- 50/200 Foam Nozzle
- 40/30 Disinfection Nozzle
- Nozzle holder
- All nozzles are of course in stainless steel*

Optional accessories:

- Food hygiene hose
- Low pressure valve/low pressure gun
- Hose holder

Item number	Description	Version
7001321	MS 0322	Rinse/foam
7001322	MS 0322 D	Rinse/foam/disinfection
7001323	MS 0322 FD	Rinse/foam/foam disinfection
7001324	MS 0422	Rinse/foam
7001325	MS 0422 D	Rinse/foam/disinfection
7001326	MS 0422 FD	Rinse/foam/foam disinfection

Main station

MS 0622

Base line

FOAMICO®



MS 0622 is a main station for independent use, or for use as a booster unit to provide pressurized water to FOAMICO satellites.

The pump is frequency controlled, providing you with the latest technology from Grundfos. It is programmed to increase the inlet water pressure up to 23 bar. Energy consumption is minimized by controlling the pressure through the build-in PI regulator.

MS 0622 is designed with an easy maintainable manual change-over block. The change-over function is operated by a stainless steel handle on the side of the unit. The system is able to provide enough water for 6 simultaneous users.

The main station is available in 3 versions:

Normal: Rinse/foam

D: Rinse/foam and separate disinfection

FD: Rinse/foam and separate foam disinfection

Technical data

Water:

Pump pressure at 3 bar inlet pressure

Min./max. inlet pressure

Max. water consumption

Pipe dimension inlet

Pipe dimension outlet

Power supply:

Standard voltage and frequency

Max. power consumption

Dimensions (WxHxD)

Weight

Unit

Bar

Bar

L/min.

Inch

Inch

V / Hz

kW

Mm

Kg

MS 0622

23

2/10

200

1 ½"

1 ½"

380-480 / 50-60

7,5

625x1280x415

130

Optional:

Satellites



Standard accessories:

25/30 Rinsing Nozzle – "High Impact"

25/30 Rinsing Lance – "High Impact"

50/200 Foam Nozzle

40/30 Disinfection Nozzle

Nozzle holder

All nozzles are of course in stainless steel

Optional accessories:

Food hygiene hose

Low pressure valve/low pressure gun

Hose holder

Item number

Description

Version

7001327

MS 0622

Rinse/foam

7001328

MS 0622 D

Rinse/foam/disinfection

7001329

MS 0622 FD

Rinse/foam/foam disinfection

Satellite
SU 0125/SU 0150

Base line



The SU 0125/SU 0150 satellite is to be connected with FOAMICO main station or booster, which will provide the satellite with pressurized water. The satellite can be used for rinsing, to lay out foam and disinfectant.

The unique "High Impact" rinsing nozzle makes rinsing application up to 25 % more efficient, saving both water and man-hours.

SU 0125/SU 0150 is designed with an easy maintainable manual change-over block. The change-over function is operated by a stainless steel handle on the side of the unit.

The satellite is available in 3 versions:

- Normal:** Rinse/foam
- D:** Rinse/foam and separate disinfection
- FD:** Rinse/foam and separate foam disinfection

Technical data

Water:	Unit	SU 0125	SU 0150
Min./max. inlet pressure	Bar	10/25	25/50
Max. water consumption	L/min.	100	100
Pipe dimension inlet	Inch	½"	½"
Air:			
Pipe dimensions inlet	Inch	¼"	¼"
Air supply	Bar	5/10	5/10
Air consumption	L/min.	150-200	150-200
Dimensions (WxHxD)	Mm	290x475x185	290x475x185
Weight	Kg	6	6

Standard accessories:

- 25/30 Rinsing Nozzle – "High Impact"
- 25/30 Rinsing Lance – "High Impact"
- 50/200 Foam Nozzle
- 40/30 Disinfection Nozzle
- Nozzle holder
- All nozzles are of course in stainless steel*

Optional accessories:

- Food hygiene hose
- Low pressure valve/low pressure gun
- Hose holder

Item number	Description	Version
7001301	SU 0125	Rinse/foam
7001302	SU 0125 D	Rinse/foam/disinfection
7001303	SU 0125 FD	Rinse/foam/foam disinfection
7001306	SU 0150	Rinse/foam
7001307	SU 0150 D	Rinse/foam/disinfection
7001308	SU 0150 FD	Rinse/foam/foam disinfection

Satellite
SU 0125 *Light*
 Base line



The SU 0125 *Light* satellite is to be connected with FOAMICO main station or booster, which will provide the satellite with pressurized water. The satellite can be used for rinsing and to lay out foam.

The unique "High Impact" rinsing nozzle makes rinsing application up to 25 % more efficient, saving both water and man-hours.

SU 0125 *Light* is designed with an easy maintainable manual change-over block. The change-over function is operated by a stainless steel handle on the side of the unit.

The satellite is available as rinse/foam only.

Technical data

Water:	Unit	SU 0125 <i>Light</i>
Min./max. inlet pressure	Bar	10/25
Max. water consumption	L/min.	100
Pipe dimension inlet	Inch	1/2"
Air:		
Pipe dimensions inlet	Inch	1/4"
Air supply	Bar	5/10
Air consumption	L/min.	150-200
Dimensions (WxHxD)	Mm	220x330x80
Weight	Kg	3,5

Standard accessories:

- 25/30 Rinsing Nozzle – "High Impact"
- 50/200 Foam Nozzle
- Nozzle holder
- All nozzles are of course in stainless steel*

Optional accessories:

- Food hygiene hose
- Low pressure valve/low pressure gun
- Hose holder

Item number	Description	Version
7001021	SU 0125 <i>Light</i>	Rinse/foam

Satellite
SU 0110 TWP *Light*
 Base line



The SU 0110 TWP *Light* satellite is to be connected with tap water pressure and must have air from an external compressor. The satellite can be used for rinsing and to lay out foam.

The SU 0110 TWP *Light* comes as a plug-and-clean kit with a 12,5 meter outlet hose and ball valve.

SU 0110 TWP *Light* is designed with an easy maintainable manual change-over block. The change-over function is operated by a stainless steel handle on the side of the unit.

The satellite is available as rinse/foam only.

Technical data

Water:	Unit	SU 0110 TWP <i>Light</i>
Min./max. inlet pressure	Bar	2/10
Max. water consumption	L/min.	100
Pipe dimension inlet	Inch	1/2"
Air:		
Pipe dimensions inlet	Inch	1/4"
Air supply	Bar	2/10
Air consumption	L/min.	150-200
Dimensions (WxHxD)	Mm	220x330x80
Weight	Kg	3,5

Standard accessories:

- 25/30 Rinsing Nozzle – "High Impact"
- 50/200 Foam Nozzle
- 12,5 meter 3/4" hose
- Brass ball valve
- Nozzle holder
- All nozzles are of course in stainless steel*

Optional accessories:

- Low pressure valve SS
- Hose holder

Item number	Description	Version
7001020	SU 0110 TWP <i>Light</i>	Rinse/foam

Pre-diluted systems

FOAMICO®

Mixing stations and satellites

Our pre-diluted mixing stations are called PDMS – pre-diluted mixing station.

Mixing stations are available in 2 models. One with a capacity to supply 60 liter of chemicals per hour, and with a capacity of 375 liter per hour.

The principle of the unit is a proportional dosing system based on an advanced electronic dosing pump with remarkable resolution to assure even mixing down to the lowest throughput. Dosing technology is from the Grundfos Alldos pump-series.

Before the PDMS' you must have a FOAMICO booster. You choose the booster depending on how many simultaneous users you need.

We carry a wide selection of standard satellites, which are prepared for pre-diluted chemicals. If the satellite you need is not in the standard range, an offer can be made upon request.



Main station

FOAMICO PDMS 60-10 and 375-10

Pre-diluted systems

FOAMICO®



FOAMICO Pre-Diluted Mixing Station (PDMS) are intended as a pre-mixing station to mix water and chemical for the use in special designed FOAMICO SU 0125 satellites prepared for pre-diluted chemicals.

The principle of the unit is a proportional dosing system based on an advanced electronic dosing pump with remarkable resolution to assure even mixing down to the lowest throughput. Dosing technology is from the Grundfoss Alldos pump-series.

2 models are available – one which can supply 60 liter chemical per hour and one with a capacity of 375 liter chemical per hour.

The mixing stations are available on a stainless steel plate. As an option you can have it in a stainless steel cabinet. An outgassing function can also be added as an option.

Technical data

Water	Unit	PDMS 60-10	PDMS 375-10
Max. water pressure	Bar	10	10
Max. chemical flow	L/hr	60	375
Pipe dimensions (Cabinet)	Inch	1" (1 ¼")	1" (1 ¼")
Power supply:			
Standard voltage and frequency	V	1x100-240	1x 100-240
Frequency	Hz	50-60	50-60
Max. power consumption	W	67,1	240
Fuse	A	10	10
Dimensions - Plate(WxHxD)	Mm	500x930x380	500x930x380
Weight	Kg	70	125
Dimensions – Cabinet (WxHxD)	Mm	625x1280x415	625x1280x415
Weight	Kg	95	150



Optional accessories:

Outgassing vacuum tank

Item number	Description
7009014	FOAMICO PDMS 60-10
7009015	FOAMICO PDMS 375-10
7009019	FOAMICO PDMS 60-10 in cabinet
7009020	FOAMICO PDMS 375-10 in cabinet
7009021	Outgassing vacuum tank

Satellite SU 0125

Pre-diluted systems

FOAMICO®



The SU 0125 satellite for pre-diluted chemicals is to be connected with FOAMICO mixing stations PDMS and FOAMICO booster, which will provide the satellite with pre-diluted chemicals and pressurized water.

SU 0125 satellite for pre-diluted chemicals are available in 6 standard versions.

If the satellites you request is not shown, an offer can be made upon request.

Technical data

Water:	Unit	SU 0125 for pre-diluted chemicals
Min./max. inlet pressure	Bar	5/25
Max. water consumption	L/min.	100
Pipe dimension inlet	Inch	1/2"
Air:		
Pipe dimensions inlet	Inch	1/4"
Air supply	Bar	5/10
Air consumption	L/min.	150-200
Dimensions (WxHxD)	Mm	290x475x185
Weight	Kg	6

Optional accessories:

- Food hygiene hose
- Low pressure valve/low pressure gun
- Hose holder

Item number	Description
7003301	SU 0125 1x pre-diluted foam, 1x rinse circuit
7003302	SU 0125 1x pre-diluted foam, 1x pre-diluted disinfectant, 1x rinse circuit
7003303	SU 0125 2x pre-diluted foam, 1x rinse circuit
7003304	SU 0125 1x pre-diluted foam, 1x rinse circuit with injector block for local chemical supply
7003305	SU 0125 1x pre-diluted foam, 1x pre-diluted disinfectant, 1x rinse circuit with injector block for local chemical supply
7003306	SU 0125 2x pre-diluted foam, 1x rinse circuit with injector block for local chemical supply

Accessories

FOAMICO®

All standard accessories, which are included with the main stations and satellites, are all in stainless steel.

We supply only high quality accessories for longer product life cycle.

We carry a wide range of accessories like hoses, hose holders, hose reels, spray guns, low pressure valves and various nozzles.

	Nederman hose reel		Teha hose reel		Stainless steel hose holder
	Rinsing nozzle		Disinfection nozzle		Foam nozzle
	Rinsing lance		Foam lance		Hose
	Low pressure valve		Low pressure gun		Can holder

Hoses

Food hygiene hose

All food hygiene hoses are mounted with stainless steel press couplings with ½" outer thread.
 Temperature range: -20 degrees to + 70 degrees celcius. Max pressure: 50 bar.



Item number	Description
7800116	10 meter food hygiene hose
7800115	15 meter food hygiene hose
7800054	20 meter food hygiene hose
7800055	25 meter food hygiene hose
7800056	30 meter food hygiene hose
7800057	100 m. food hygiene hose (without press couplings)
7800159	1,5 meter food hygiene hose
7800160	2,5 meter food hygiene hose

FOAMICO standard hose

All FOAMICO standard hoses are mounted with stainless steel press couplings with ½" outer thread.
 Temperature range: -20 degrees to + 70 degrees celcius. Max pressure: 80 bar at 20 degrees.



Item number	Description
7800172	10 meter FOAMICO standard hose
7800173	15 meter FOAMICO standard hose
7800174	20 meter FOAMICO standard hose
7800175	25 meter FOAMICO standard hose
7800176	30 meter FOAMICO standard hose
7800177	100 m. FOAMICO standard hose (without press couplings)
7800170	1,5 meter FOAMICO standard hose
7800171	2,5 meter FOAMICO standard hose

FOAMICO FO1 hose

All FOAMICO FO1 hoses are mounted with stainless steel press couplings with ½" outer thread.
 Temperature range: -20 degrees to + 70 degrees celcius. Max pressure: 80 bar at 20 degrees.



Item number	Description
7800195	15 meter FOAMICO FO1 hose
7800196	20 meter FOAMICO FO1 hose
7800197	25 meter FOAMICO FO1 hose
7800198	30 meter FOAMICO FO1 hose
7800199	2,5 meter FOAMICO FO1 hose

Accessories

Below you will find inlet hoses for our mobile units.



Item number

7800112

7800201

Description

10 meter inlet hose for mobile, 3/4"

10 meter Inlet hose for mobile, 1"

Below you will find various chemical hoses. Please note that the item number mentioned is per meter and without filter.



Item number

1700022

1700023

1700108

1700156

1000256

Description

Chemical hose, blue

Chemical hose, yellow

Chemical hose, red

Chemical hose, clear

Filter for chemical hose

Hose reels and hose holder

Our hose reels and hose holder are in stainless steel.



Item number

7800111

1000510

Description

Hose reel Nedermann 886 (automatic)

Max. 25 meter 1/2" hose

Pivot wall bracket for Nedermann 886



Item number

7800187

7800184

Description

Hose reel automatic, SS

Max. 35 meter 1/2" hose

Pivot wall bracket for hose reel automatic, SS



Item number

1000149

Description

Hose holder SS for wall mount

Can holders

Stainless steel can holders for either 1 or 2 15 liter cans.



Item number
1000295

Description
Single can holder 270 mm x 323 mm



Item number
1000298

Description
Double can holder 2x 270 mm x 323 mm



Item number
1001016

Description
Triple can holder 3x 270 mm x 323 mm

Low pressure valves and low pressure gun



Item number

7800058

7800059

Description

Low pressure valve SS w. vulcanised coupling

Low pressure valve SS w. coupling



7800060

Low pressure valve galvanized brass
with vulcanised coupling



7800061

Low pressure valve galvanized brass
with coupling



7800203

Rubber low pressure valve w. vulcanised coupling



Item number

7800161

swivel

Description

Foam gun ST-2725 w. ST-3100 coupling and

Chemical limiting nozzles

Chemical limiting nozzles in high resistant plastic. The set contains 0,5 mm - 0,6 mm – 0,7 mm – 0,8 mm – 0,9 mm – 1,1 mm – 1,3 mm – 1,5 mm. The many different limiting nozzles allows you to make just the right chemical concentration.



Item number
1000051

Description
Chemical limiting nozzles 0,5 mm – 1,5 mm

Couplings and ball valves

Below you will find a selection of couplings and ball valves.



Item number
1000028
Description
Male coupling 1/4" inner thread, SS



Item number
1000029
Description
Male coupling 1/2" inner thread, SS



Item number
1000037
Description
Quick connect coupling 1/2" outside thread, SS



Item number
1000038
Description
Quick connect coupling 1/2" outside thread w. vulc., SS



Item number
7800135
Description
Press coupling 1/2" outer thread, SS



Item number
1001200
Description
Quick connect coupling 3/8" outside thread w. vulc., SS



Item number
1000266
Description
Ball valve with T-piece 1/2" inner thread, SS



Item number
1000069
Description
Ball valve til L-grip 1/2" inner thread, SS

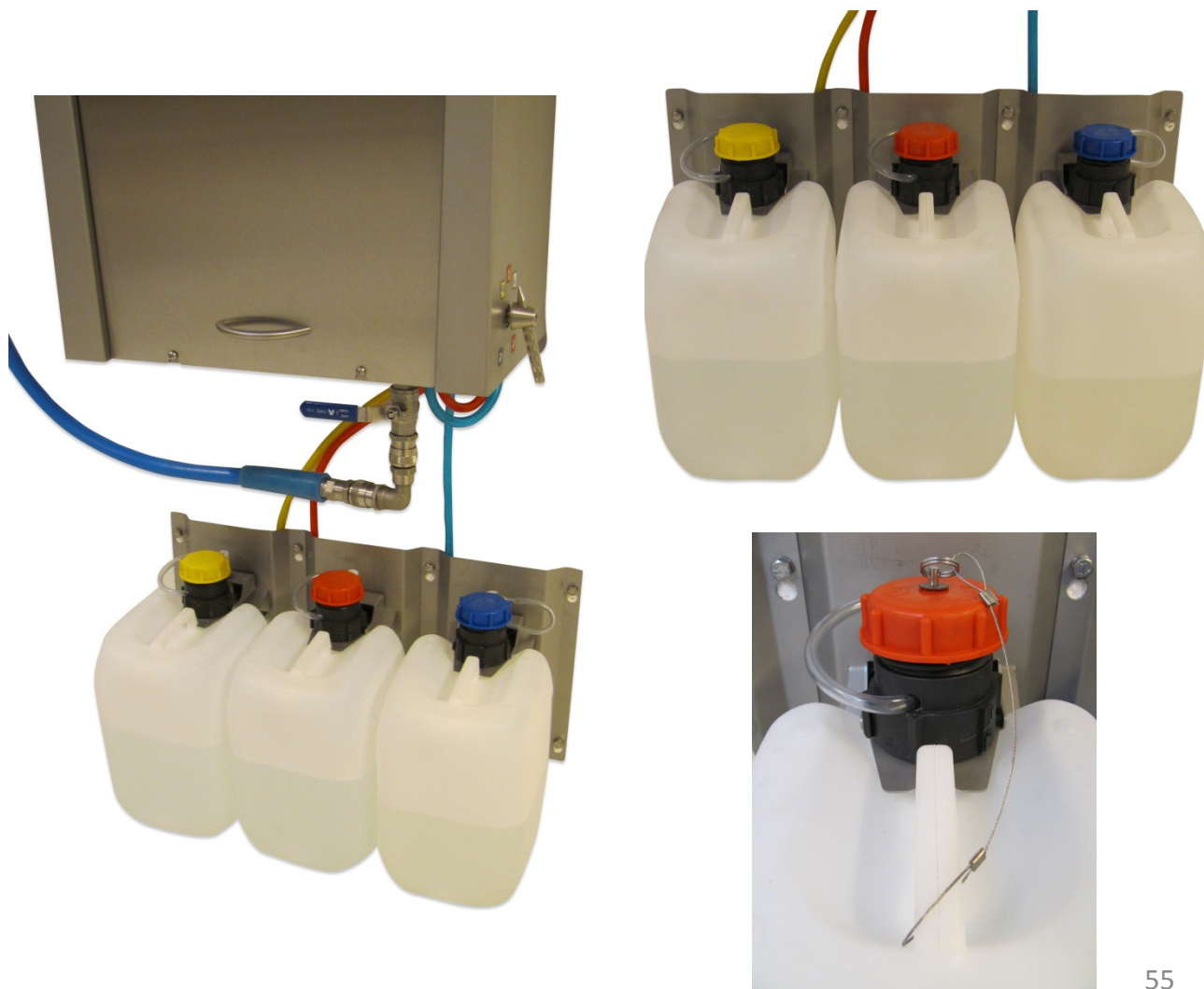
Safety Can System

Our Safety Can System is designed for correct and safe handling of chemical products. The design of the canisters and wall brackets makes it impossible for the cleaners to mount a wrong can at a wrong wall bracket, which prevents mixing of two chemical products and the possible danger of dangerous gasses.

The wall bracket is designed to carry 10 liter canisters, and also the canisters included with the system can contain 10 liter.

The canisters come with coloured lids, which indicates what type of chemical are in the canisters. The lid is secured to the can by a stainless steel wire.

Item number	Description
7004001	Safety can system complete, blue
7004002	Safety can system complete, red
7004003	Safety can system complete, yellow
7004004	Safety can system complete, green



Rinsing nozzles

We have a great selection of rinsing nozzles, both stainless steel and brass. Below is shown the complete rinsing nozzles, which we have chosen as our standard program. If the nozzle you are looking for is not shown, please do not hesitate to contact us.

The first two digits is the spraying angle, while the last two is the water consumption per minute.

Stainless steel



Item number

- 7800147
- 7800000
- 7800001
- 7800126
- 7800002
- 7800003

Description

- Rinsing nozzle 15/25 High Impact
- Rinsing nozzle 15/30 High Impact
- Rinsing nozzle 15/40 High Impact
- Rinsing nozzle 25/25 High Impact
- Rinsing nozzle 25/30 High Impact
- Rinsing nozzle 25/40 High Impact

- FOAMICO FO1 Rinsing nozzle High Impact

Brass



Item number

- 7800004
- 7800005
- 7800006
- 7800007

Description

- Rinsing nozzle 15/30, brass
- Rinsing nozzle 15/40, brass
- Rinsing nozzle 25/30, brass
- Rinsing nozzle 25/40, brass

Foam nozzles

We have foam nozzles available as either stainless steel or brass. Below is shown the complete foam nozzles, which we have chosen as our standard program. The first two digits is the spraying angle, while the last two is the water consumption per minute.

Stainless steel



Item number

- 7800008
- 7800009

Description

- Foam nozzle 65/150
- Foam nozzle 50/200

Brass



Item number

- 7800010
- 7800011

Description

- Foam nozzle 50/150
- Foam nozzle 50/200

Disinfection nozzles

Our disinfection nozzles are available in stainless steel only. The first two digits is the spraying angle, while the last two is the water consumption per minute.



Item number

- 7800012
- 7800013

Description

- Disinfection nozzle 40/30
- Disinfection nozzle 50/30

Nozzle Protectors

Our nozzle protectors are available in 7 different colors. White and grey for foam nozzles. Red, green, yellow, light blue and dark blue for disinfection nozzles

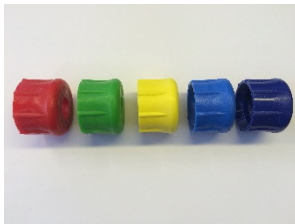


Item number

- 7800012
- 7800013

Description

- Nozzle Protector White
- Nozzle Protector Grey



Item number

- 7800012
- 7800013
- 7800013
- 7800013
- 7800013

Description

- Nozzle Protector Red
- Nozzle Protector Green
- Nozzle Protector Yellow
- Nozzle Protector Light Blue
- Nozzle Protector Dark Blue

Rinsing lances

We also have a great selection of rinsing lances, both stainless steel and brass. Below is shown the complete rinsing lances, which we have chosen as our standard program. If the nozzle you are looking for is not shown, please do not hesitate to contact us.

The first two digits is the spraying angle, while the last two is the water consumption per minute.

Stainless steel



Item number

7800151
7800078
7800079
7800152
7800080
7800081

Description

Rinsing lance 15/25 High Impact
Rinsing lance 15/30 High Impact
Rinsing lance 15/40 High Impact
Rinsing lance 25/25 High Impact
Rinsing lance 25/30 High Impact
Rinsing lance 25/40 High Impact

7800183

FOAMICO FO1 Rinsing lance High Impact

Brass



Item number

7800014
7800015
7800016
7800017

Description

Rinsing lance 15/30, brass
Rinsing lance 15/40, brass
Rinsing lance 25/30, brass
Rinsing lance 25/40, brass

Foam lances

We have foam lances available with stainless steel nozzle. Below is shown the complete foam lances, which we have chosen as our standard program. The first two digits is the spraying angle, while the last two is the water consumption per minute.

Stainless steel



Item number

7800114
7800139

7800205

Description

Foam lance 250 mm 65/150
Foam lance 250 mm 50/200

FOAMICO FO1 pre-foam lance

FOAMICO®

Innovative cleaning solutions for ultimate efficiency

ABOUT

FOAMICO is an independent manufacturer of superior cleaning solutions to the food and beverage industries.

Our core business is to develop, manufacture and deliver reliable and efficiently cleaning solution for surface and open plant cleaning worldwide.

Our goal is to be viewed as a very innovate partner with extreme focus on food safety, cost efficient, reliability, easy to use and high degrees of competiveness. FOAMICO was founded 2009 and is already doing business in more than 26 countries on 5 continents.

Despite we are relative new players in the market we have already seen a very high growth and achieved overwhelming recognition for our products in terms of efficiency and reliability.

CONTACT

FOAMICO ApS
DK-9400 Noerresundby
Denmark
Phone: + 45 2256 4676
info@foamico.com
www.foamico.com

1st version, January 2014 - "All rights reserved"



Subject to change